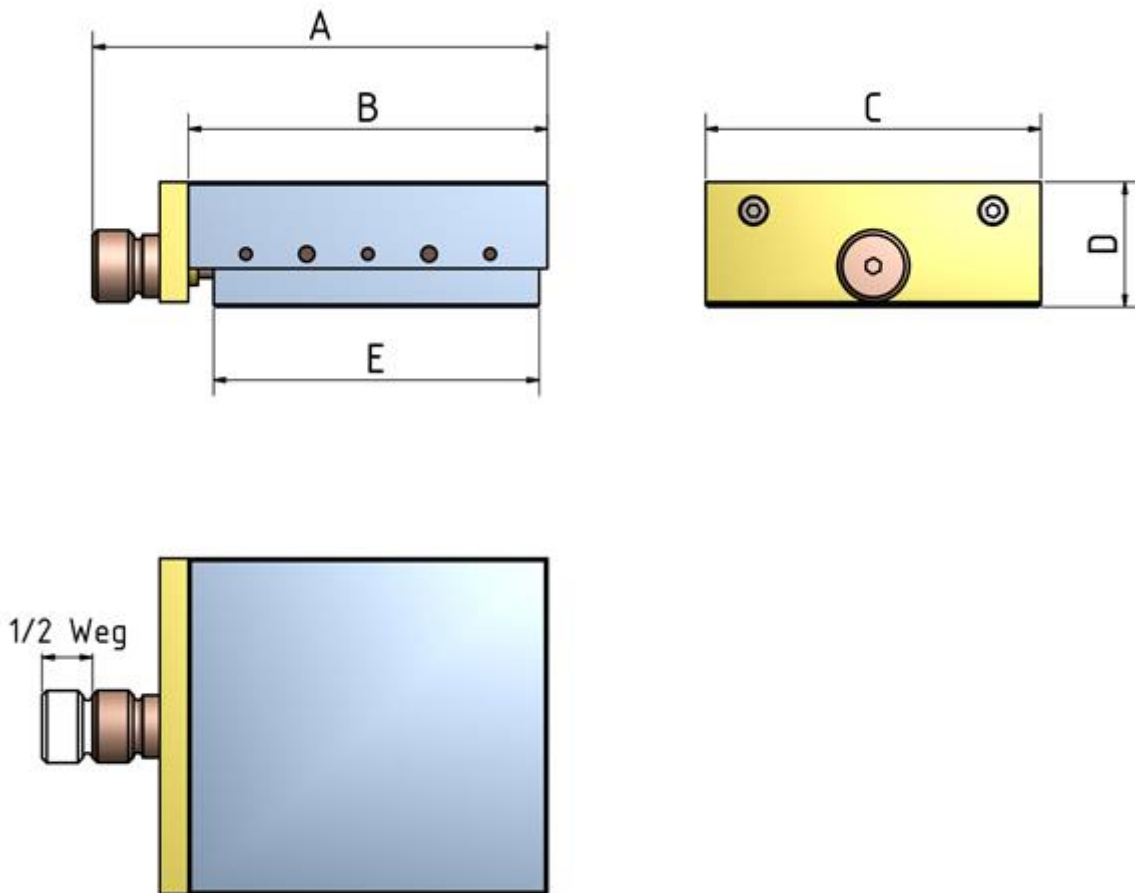


Technical information

Single slide : Type A



Technical plan: Type A



Technical information: Type A – Part 1

	Path	A	B	C	D	E	Weight in kg		Spindle	Material	
							AL	GG		AL	GG
40x40	13	54.5	40	40	18	35	0.10	0.20	M5x0.5	AL	GG
70x40	13	84.5	70	40	18	64	0.16	0.34	M5x0.5	AL	GG
55x55	18	70.5	55	55	20	50	0.20	0.44	M5x0.5	AL	GG
75x70	21	95	75	70	26	68	0.44	1.00	M5x0.5	AL	GG
100x100	27	123	100	100	35	84	1.00	2.34	M8x1.0	AL	GG
125x125	38	158	125	125	35	100	1.64	3.72	M10x1.0	AL	GG
150x150	38	183	150	150	35	125	2.26	5.36	M10x1.0	AL	GG
200x200	38	233	200	200	42	160	4.40	10.98	M10x1.0	AL	GG

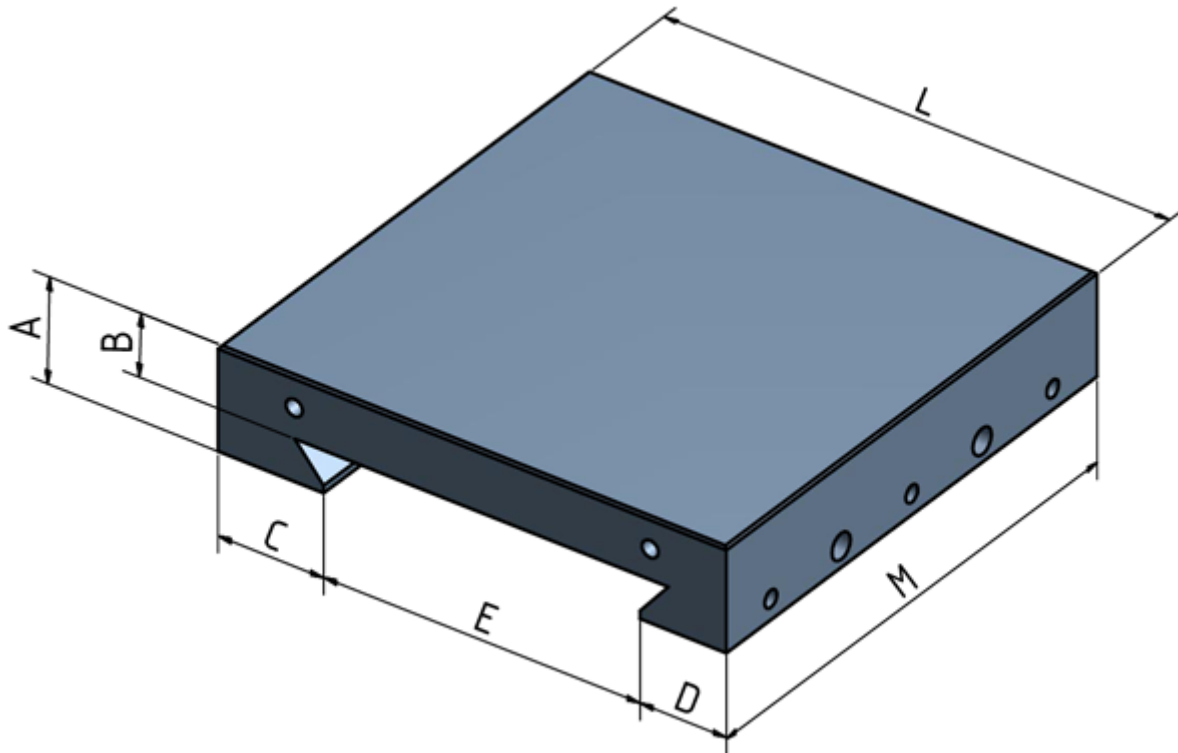
AL = Aluminum / GG = Cast Iron

Technical information

Single slide : Type A



Geometry of upper part: Type A



Technical information: Type A – Part 2a

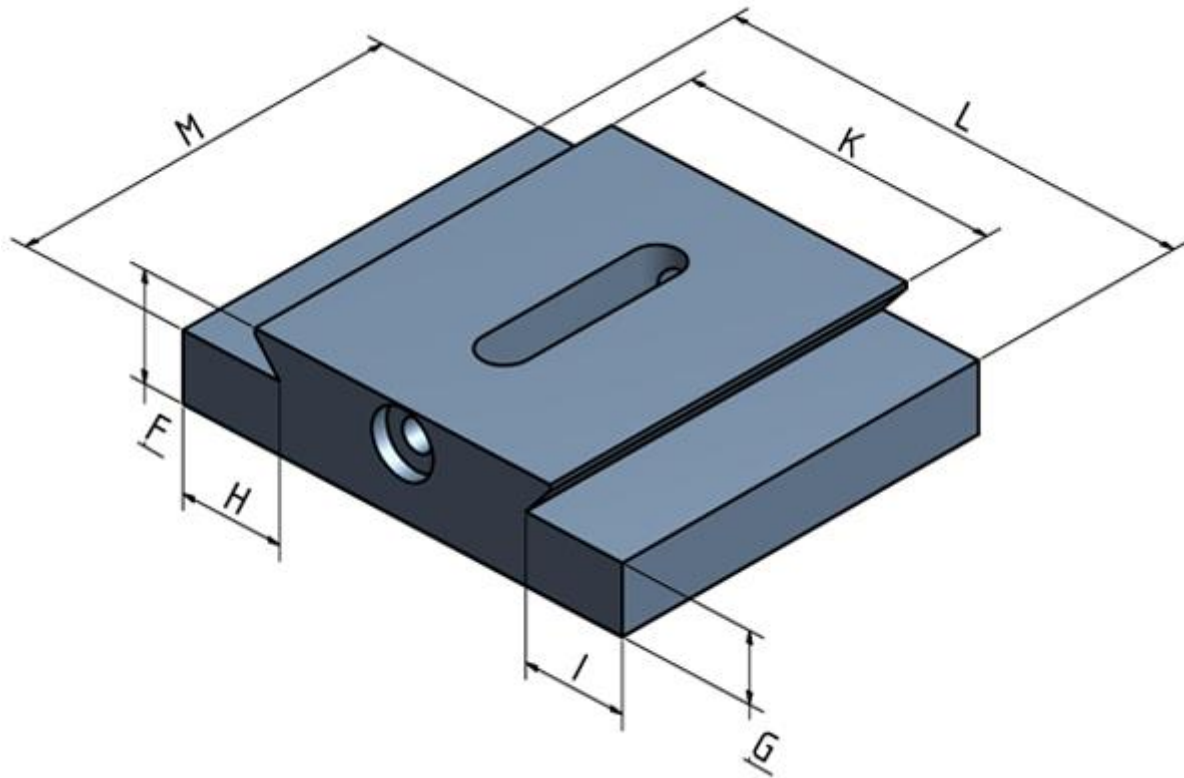
	L	M	A	B	C	D	E
40x40	40	40	13	7	9.2	9.2	21.6
70x40	40	70	13	7	9.2	9.2	21.6
55x55	55	55	13	7.7	13	10.6	31.4
75x70	70	75	18	12.9	13.3	13.3	43.4
100x100	100	100	20	11.7	20.8	17.2	62
125x125	125	125	24	13.8	27.8	22.4	74.8
150x150	150	150	24	13.2	27.2	22.2	100.6
200x200	200	200	28	15.6	33.7	28.7	137.6

Technical information

Single slide : Type A



Geometry of lower part: Type A



Technical information: Type A – Part 2b

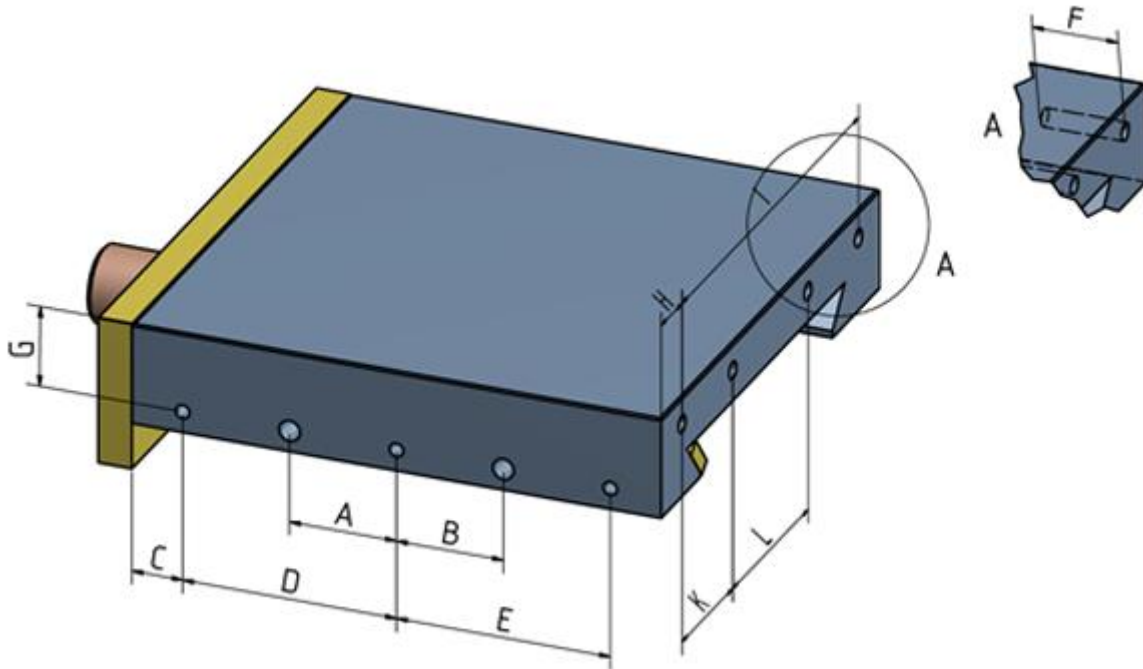
	L	M	F	G	H	I	K
40x40	40	35	11	5	10	12	26
70x40	40	64	11	5	10	12	26
55x55	55	55	12	7	13.8	13.8	34.5
75x70	70	68	13	8	14	16	46.5
100x100	100	84	23	15	22	22	67
125x125	125	100	21	11	29	29	83
150x150	150	125	21	11	28	28	107
200x200	200	160	26	14	35	35	149

Technical information

Single slide : Type A



Geometry of plate to lock: Type A



Technical information: Type A – Part 3

	A	B	C	D	E	F	G	H	I	K	L
40x40	-	-	8	24	-	10	10	9	22	-	-
70x40	-	-	8	27	27	10	10	9	22	-	-
55x55	-	-	7.5	20	20	9	10	6.5	42	-	-
75x70	12.75	12.75	12	25.5	25.5	15	15	10	50	-	-
100x100	20	20	12	38	38	15	16	15	70	-	-
125x125	25.5	25.5	12	50.5	50.5	20	19	12	101	29	43
150x150	30	30	15	60	60	20	19	14	122	40	42
200x200	40	40	20	80	80	20	22	20	160	50	60